



TITLE: Vieo Vertical Wall Covering (On Ply or OSB)
DWG NO: V10_VWC_TD_System
SCALE: NTS
ISSUE DATE: Sep 2014

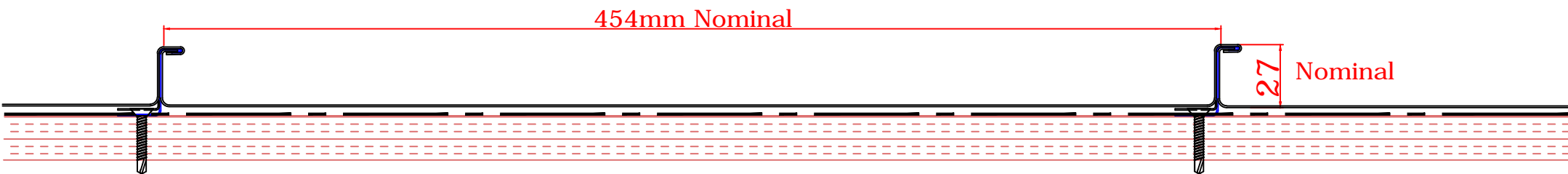
(To be read in conjunction with Vieo system specification documents)

Euro Clad Ltd,
Wentloog Corporate Park,
Wentloog Road, Cardiff CF3 2ER
Tel: (+44) 029 20 790722,
Fax: (+44) 029 20 793149
Website: www.vieorooft.com

This draft drawing has been supplied by Euro Clad Ltd for the purpose of guidance free of charge. It is a suggested typical detail and as such should not be assumed suitable for any specific project or application. No responsibility is assumed for errors or misinterpretations resulting from the information contained in the drawing. Details are for illustration only and no liability is accepted. We reserve the right to change the details without notice. The drawing is copyright, it remains our property.

Drawn by: MP Checked by: PCI

Standard offer is 454mm profile.
Also available on request in other widths from 225mm to 517mm.



Ply/Timber/OSB facing by others in accordance with relevant standards.



TITLE: Vieo Vertical Wall Covering (On Ply or OSB)

DWG NO: V10_VWC_TD_System

SCALE: NTS

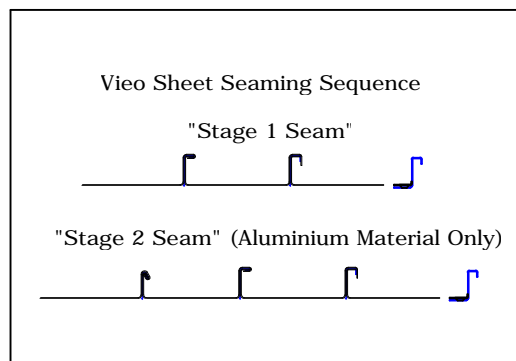
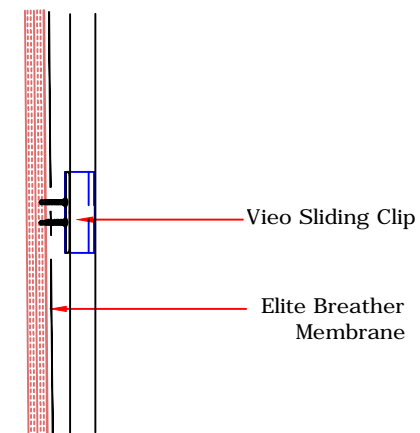
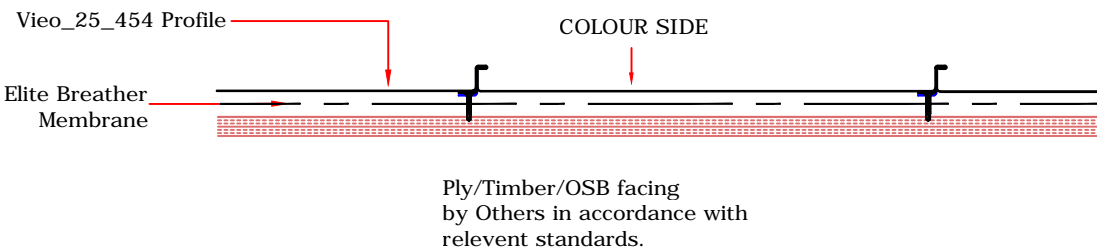
ISSUE DATE: Sep 2014

Drawn by: MP Checked by: PCI

(To be read in conjunction with Vieo system specification documents)

Euro Clad Ltd,
Wentloog Corporate Park,
Wentloog Road, Cardiff CF3 2ER
Tel: (+44) 029 20 790722,
Fax: (+44) 029 20 793149
Website: www.vieoroof.com

This draft drawing has been supplied by Euro Clad Ltd for the purpose of guidance free of charge. It is a suggested typical detail and as such should not be assumed suitable for any specific project or application. No responsibility is assumed for errors or misinterpretations resulting from the information contained in the drawing. Details are for illustration only and no liability is accepted. We reserve the right to change the details without notice. The drawing is copyright. It remains our property.



**TYPICAL ARRANGEMENT: 1260mm IN CENTRAL AREAS,
REDUCE CLIP CENTRES AT CORNERS AND IN HIGH LOAD AREAS.**

**CHECK SYSTEM CAPACITY AGAINST PROJECT LOADS AND ADJUST
IF NECESSARY**

**CLIP TYPICAL CENTRES:
DETERMINED BY PROJECT WIND SUCTION LOADS AS FOLLOWS:
1260mm for loads up to 1.5kN/M²
660mm for loads 1.5 to 2.0kN/M²
300mm for loads 2 to 4kN/M²**

Where substrate is Min 18mm ply or Min 15mm OSB 3
* STAGE 1 SEAM: REDUCED LOAD CAPACITY FOR ALUMINIUM
* REFER TO TECHNICAL



TITLE: Vieo Vertical Wall Covering (On Ply or OSB)

DWG NO: V10_VWC_TD_System

SCALE: NTS

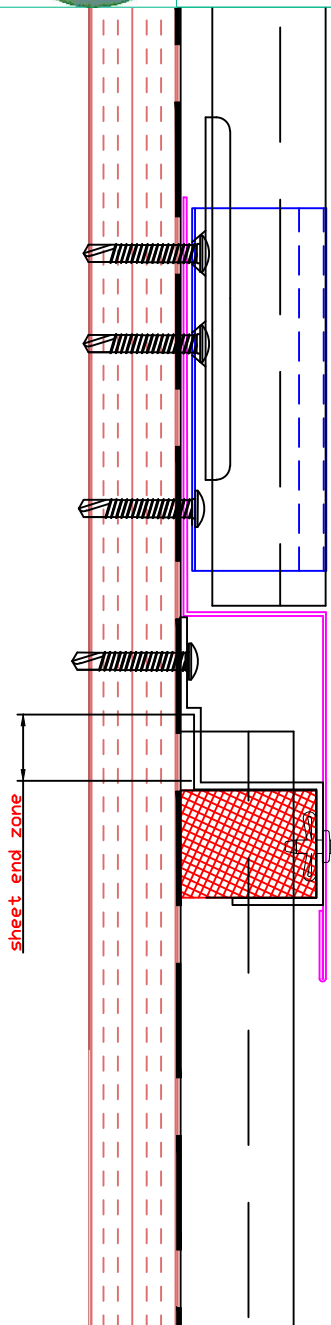
ISSUE DATE: Sep 2014

Drawn by: MP Checked by: PCI

(To be read in conjunction with Vieo system specification documents)

Euro Clad Ltd.
Wentloog Corporate Park,
Wentloog Road, Cardiff CF3 2ER
Tel: (+44) 029 20 790722,
Fax: (+44) 029 20 793149
Website: www.vieorooft.com

This draft drawing has been supplied by Euro Clad Ltd for the purpose of guidance free of charge. It is a suggested typical detail and as such should not be assumed suitable for any specific project or application. No responsibility is assumed for errors or misinterpretations resulting from the information contained in the drawing. Details are for illustration only and no liability is accepted. We reserve the right to change the details without notice. The drawing is copyright, it remains our property.



Fixed Point

Drip Angle flashing

Appropriate where expansion allowance of Max 10mm required.



TITLE: Vieo Vertical Wall Covering (On Ply or OSB)

DWG NO: V10_VWC_TD_System

SCALE: NTS

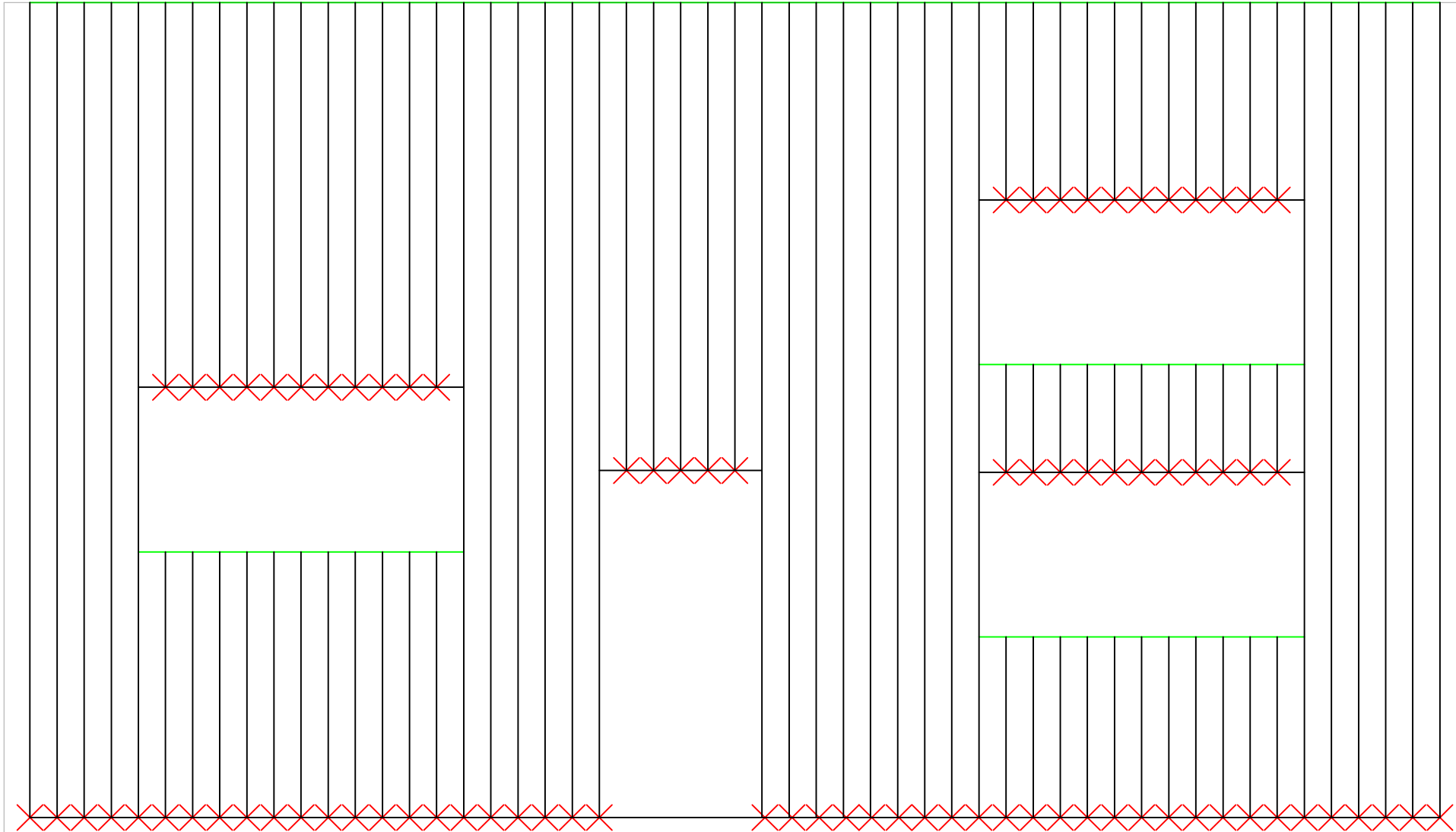
ISSUE DATE: Sep 2014

Drawn by: MP Checked by: PCI

(To be read in conjunction with Vieo system specification documents)

Euro Clad Ltd,
Wentloog Corporate Park,
Wentloog Road, Cardiff CF3 2ER
Tel: (+ 44) 029 20 790722,
Fax: (+ 44) 029 20 793149
Website: www.vieorooft.com

This draft drawing has been supplied by Euro Clad Ltd for the purpose of guidance free of charge. It is a suggested typical detail and as such should not be assumed suitable for any specific project or application. No responsibility is assumed for errors or misinterpretations resulting from the information contained in the drawing. Details are for illustration only and no liability is accepted. We reserve the right to change the details without notice. The drawing is copyright, it remains our property.



× Fixed Point — Expansion allowance under flashing



TITLE: Vieo Vertical Wall Covering (On Ply or OSB)
DWG NO: V10_VWC_TD_System
SCALE: NTS
ISSUE DATE: Sep 2014

(To be read in conjunction with Vieo system specification documents)

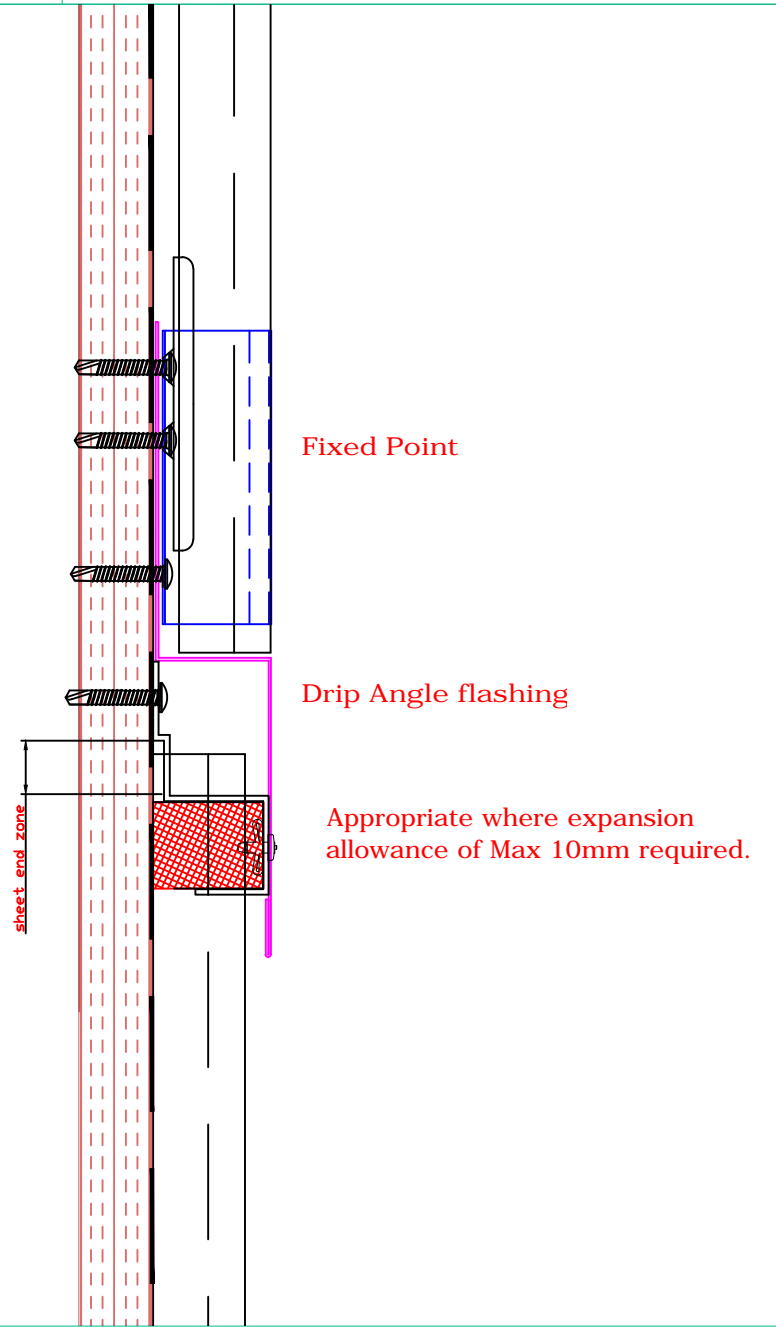
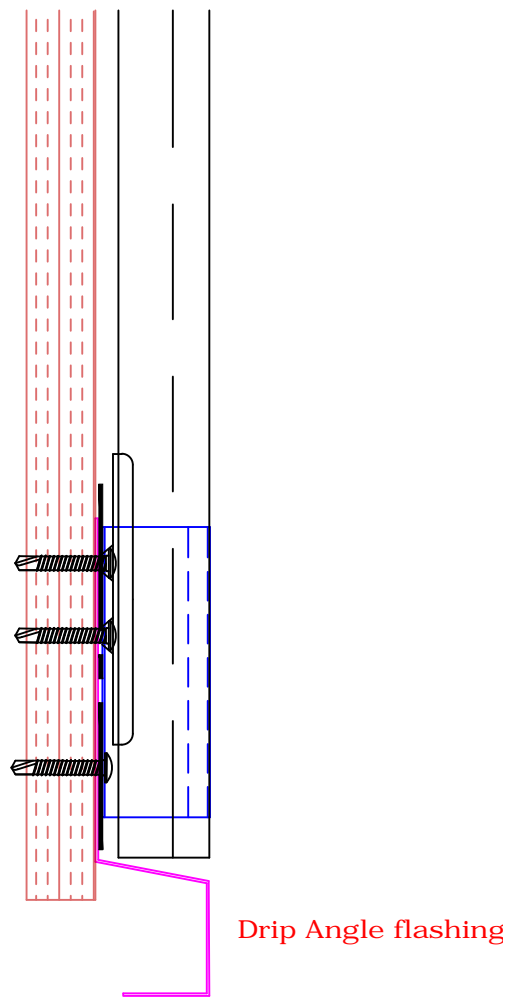
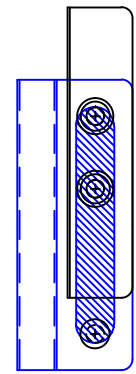
This draft drawing has been supplied by Euro Clad Ltd for the purpose of guidance free of charge. It is a suggested typical detail and as such should not be assumed suitable for any specific project or application. No responsibility is assumed for errors or misinterpretations resulting from the information contained in the drawing. Details are for illustration only and no liability is accepted. We reserve the right to change the details without notice. The drawing is copyright, it remains our property.

Euro Clad Ltd,
Wentlog Corporate Park,
Wentlog Road, Cardiff CF3 2ER
Tel: (+44) 029 20 790722,
Fax: (+44) 029 20 793149
Website: www.vieorooft.com

Drawn by: MP Checked by: PCI

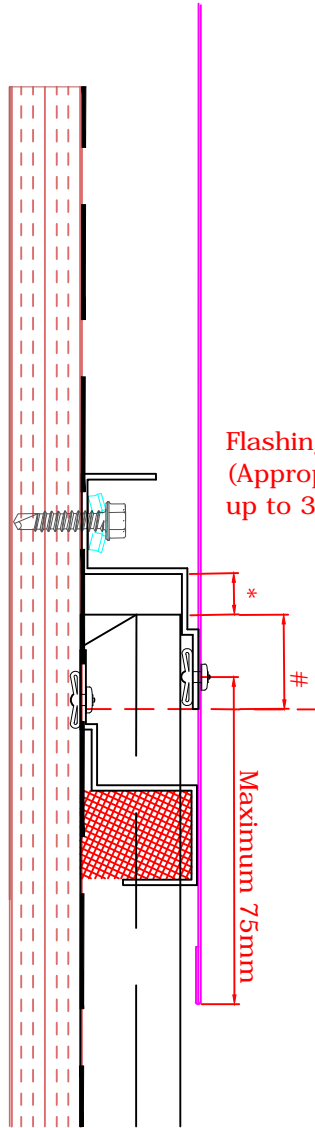
Create Fixed Point Using Clip with Additional Fixing,
Typically positioned over drip angle at sheet base.

Assembled Front View



Movement typically allowed at top of sheet.

Closure with flashing fixed to decking and not through sheet.
 Maximum allowable distance to next Vieo clip 300mm from closure fixing
 Cover flashings fixed to structure and Vieo Closure



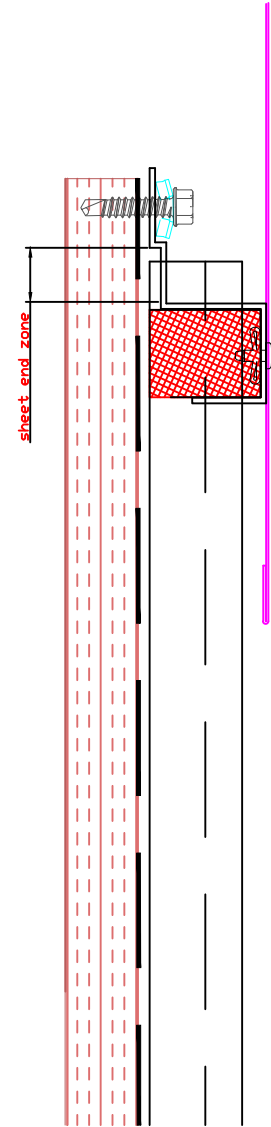
Flashing fixed to inverted Ridge Closure
 (Appropriate where expansion allowance up to 30mm is required)

* Allow clearance for anticipated movement between support Closure, end of Vieo sheet & Ridge Closure

end of Vieo sheet must fall under downslope edge of inverted Closure

Maximum 75mm

Maximum allowable to next Vieo clip 300mm



Appropriate where expansion allowance of Max 10mm required



TITLE: Vieo Vertical Wall Covering (On Ply or OSB)

DWG NO: V10_VWC_TD_System

SCALE: NTS

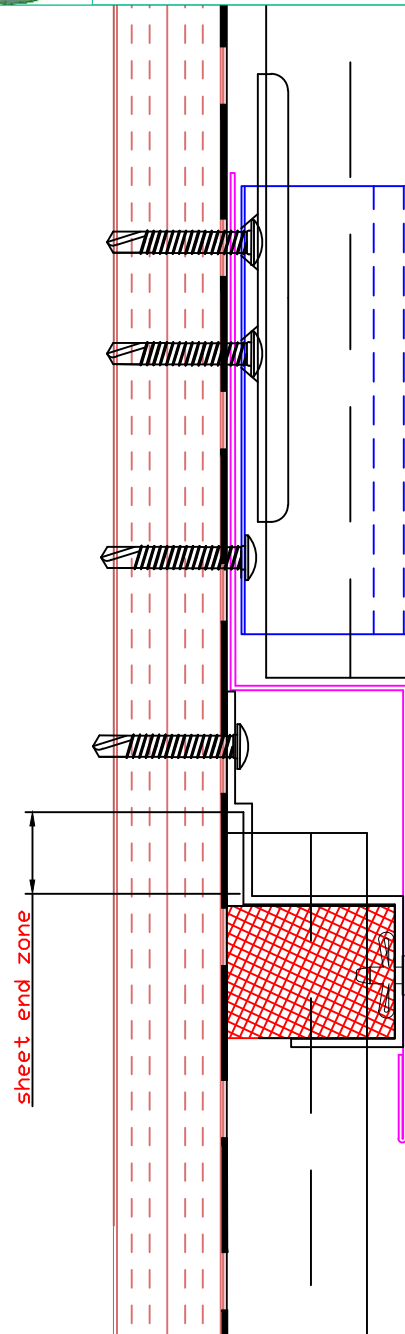
ISSUE DATE: Sep 2014

Drawn by: MP Checked by: PCI

(To be read in conjunction with Vieo system specification documents)

Euro Clad Ltd,
Wentloog Corporate Park,
Wentloog Road, Cardiff CF3 2ER
Tel: (+ 44) 029 20 790722,
Fax: (+ 44) 029 20 793149
Website: www.vieorooft.com

This draft drawing has been supplied by Euro Clad Ltd for the purpose of guidance free of charge. It is a suggested typical detail and as such should not be assumed suitable for any specific project or application. No responsibility is assumed for errors or misinterpretations resulting from the information contained in the drawing. Details are for illustration only and no liability is accepted. We reserve the right to change the details without notice. The drawing is copyright, it remains our property.



Drip Angle flashing

Appropriate where expansion allowance of Max 10mm required.



TITLE: Vieo Vertical Wall Covering (On Ply or OSB)

DWG NO: V10_VWC_TD_System

SCALE: NTS

ISSUE DATE: Sep 2014

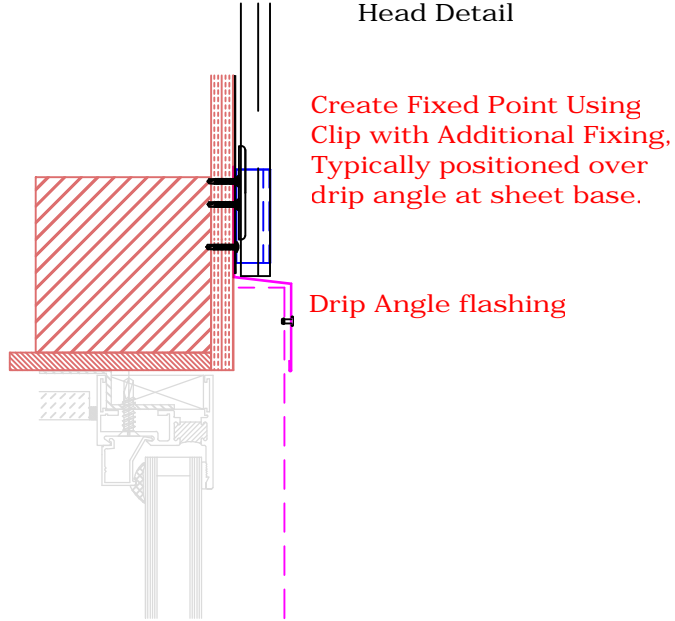
Drawn by: MP Checked by: PCI

(To be read in conjunction with Vieo system specification documents)

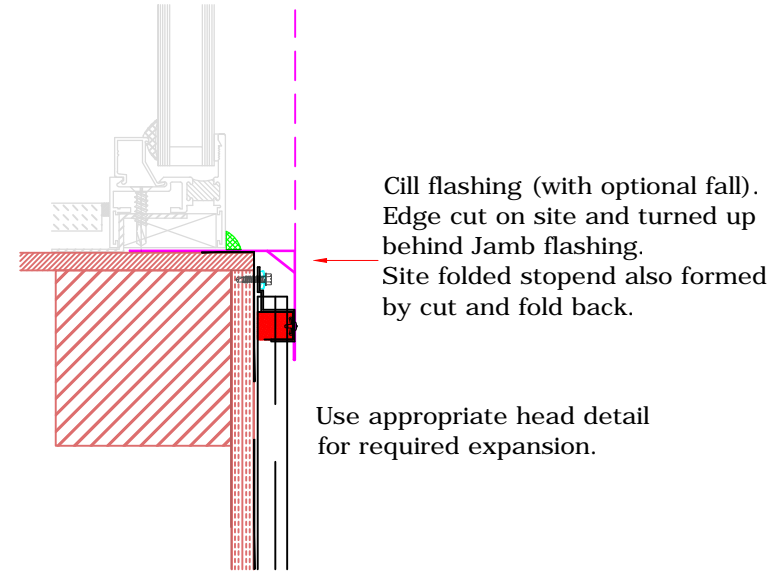
Euro Clad Ltd,
Wentloog Corporate Park,
Wentloog Road, Cardiff CF3 2ER
Tel: (+ 44) 029 20 790722,
Fax: (+ 44) 029 20 793149
Website: www.vieorooft.com

This draft drawing has been supplied by Euro Clad Ltd for the purpose of guidance free of charge. It is a suggested typical detail and as such should not be assumed suitable for any specific project or application. No responsibility is assumed for errors or misinterpretations resulting from the information contained in the drawing. Details are for illustration only and no liability is accepted. We reserve the right to change the details without notice. The drawing is copyright, it remains our property.

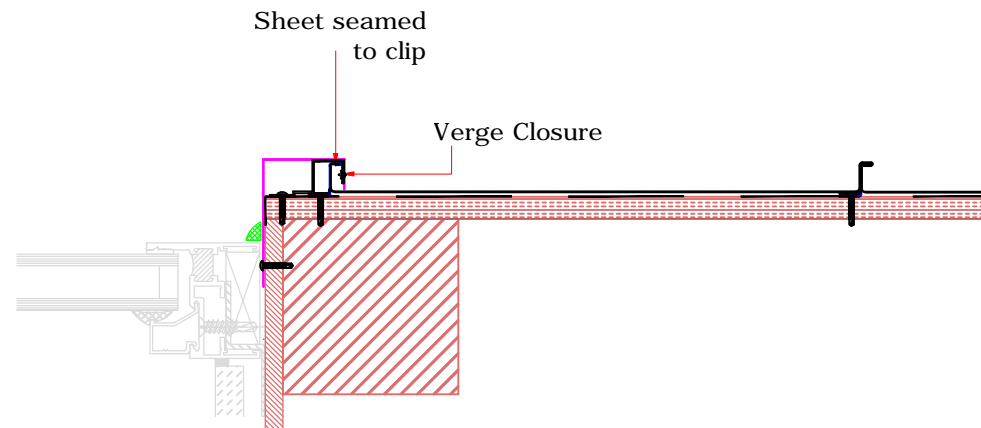
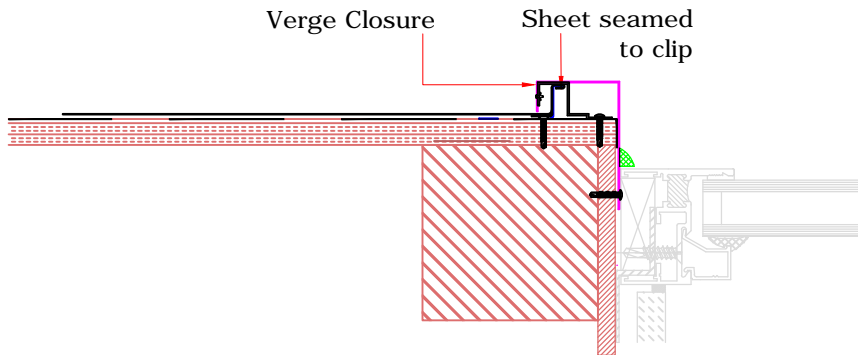
Head Detail



Cill Detail



Jamb Details





TITLE: Vieo Vertical Wall Covering (On Ply or OSB)

DWG NO: V10_VWC_TD_System

SCALE: NTS

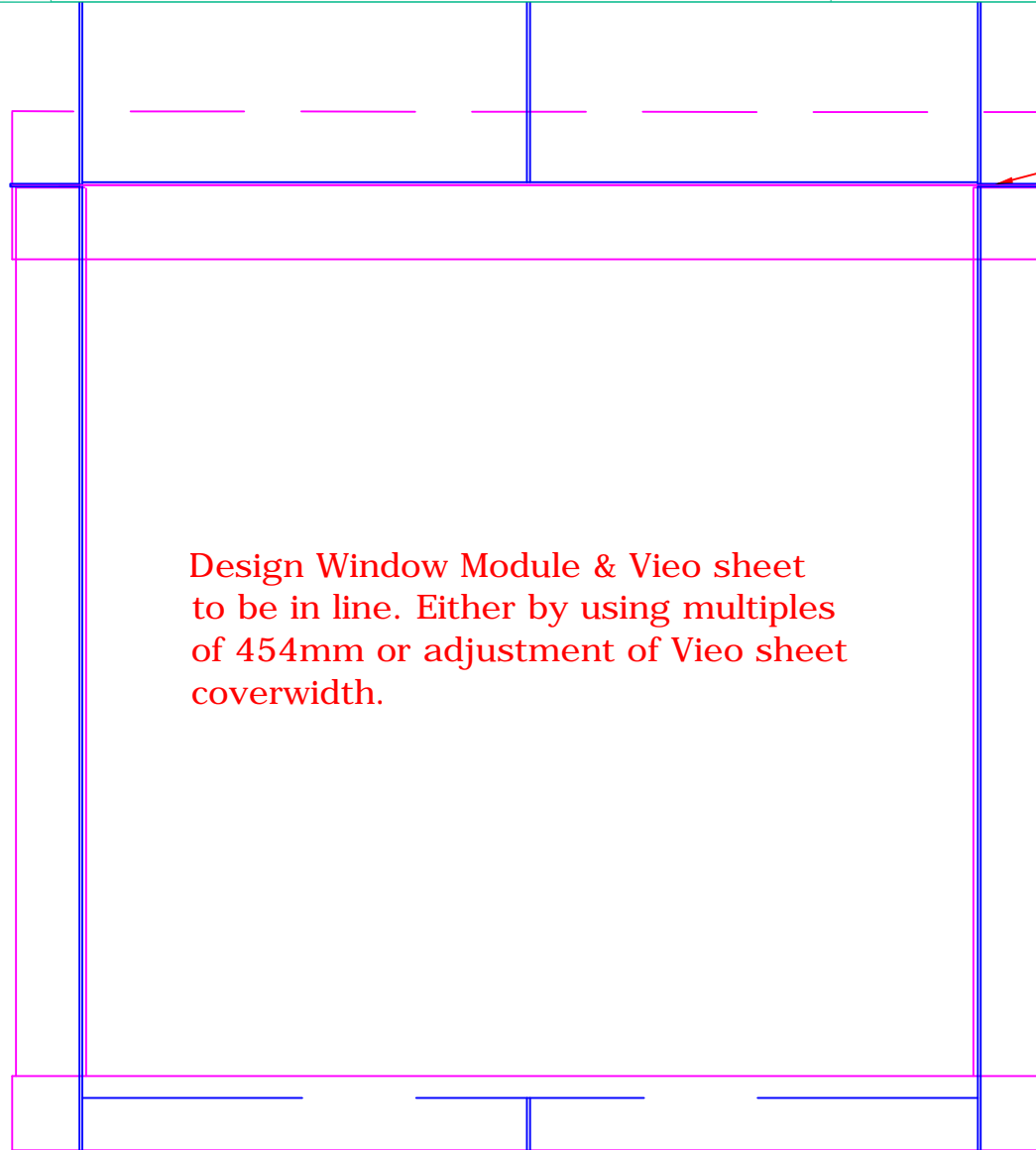
ISSUE DATE: Sep 2014

Drawn by: MP Checked by: PCI

(To be read in conjunction with Vieo system specification documents)

Euro Clad Ltd,
Wentloog Corporate Park,
Wentloog Road, Cardiff CF3 2ER
Tel: (+ 44) 029 20 790722,
Fax: (+ 44) 029 20 793149
Website: www.vieorooft.com

This draft drawing has been supplied by Euro Clad Ltd for the purpose of guidance free of charge. It is a suggested typical detail and as such should not be assumed suitable for any specific project or application. No responsibility is assumed for errors or misinterpretations resulting from the information contained in the drawing. Details are for illustration only and no liability is accepted. We reserve the right to change the details without notice. The drawing is copyright, it remains our property.

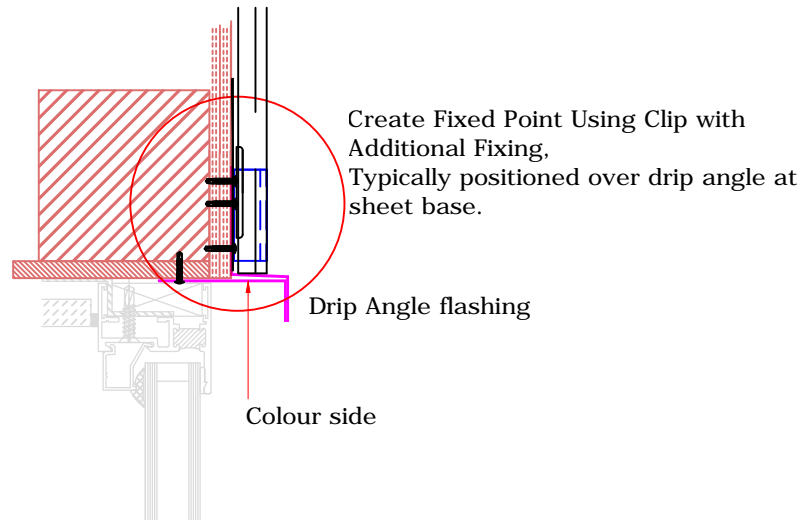


Small notch into Vieo sheet to receive drip. Sealed with mastic.

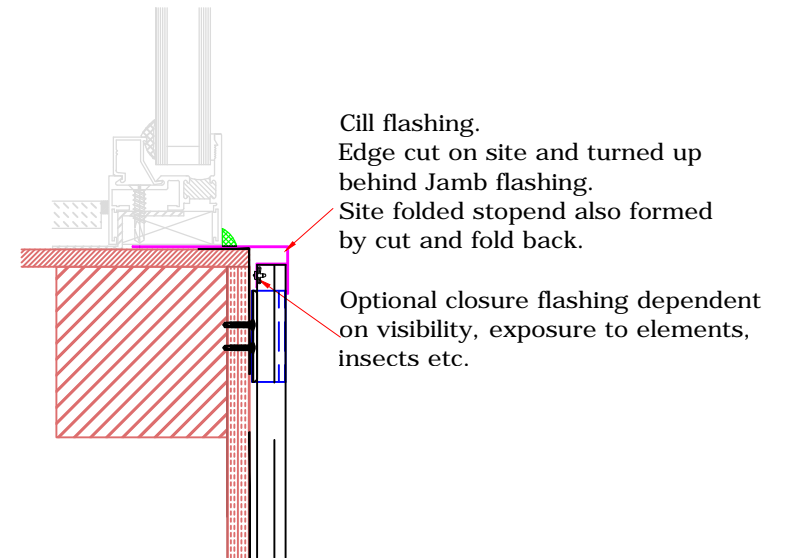
Site Folded stepend on drip

Design Window Module & Vieo sheet to be in line. Either by using multiples of 454mm or adjustment of Vieo sheet coverwidth.

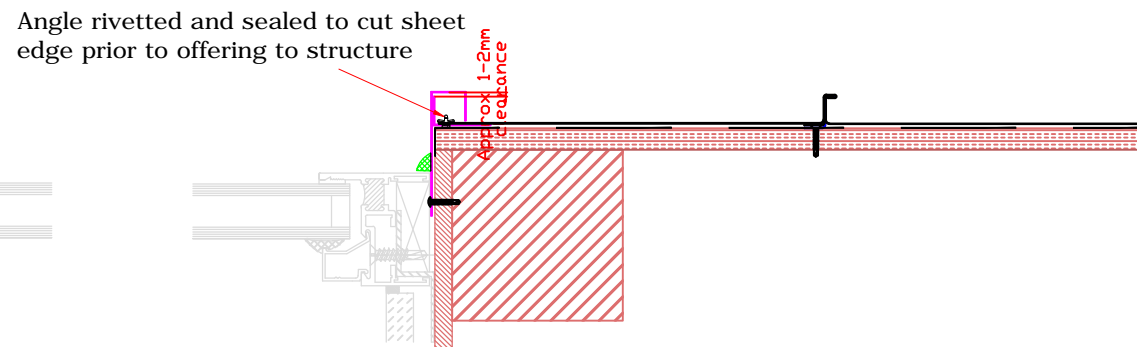
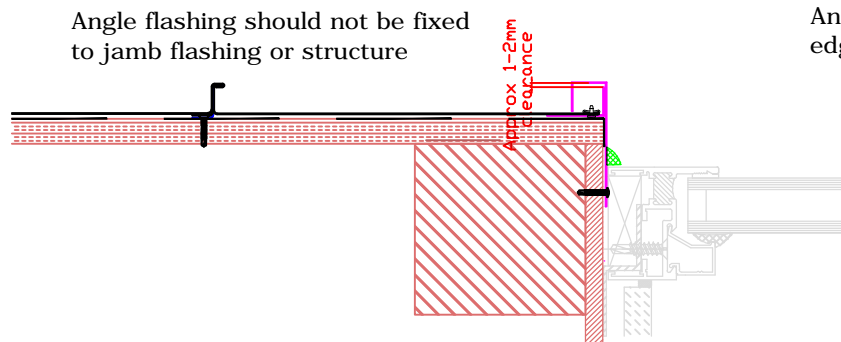
Head Detail



Cill Detail



Jamb Details





TITLE: Vieo Vertical Wall Covering (On Ply or OSB)

DWG NO: V10_VWC_TD_System

SCALE: NTS

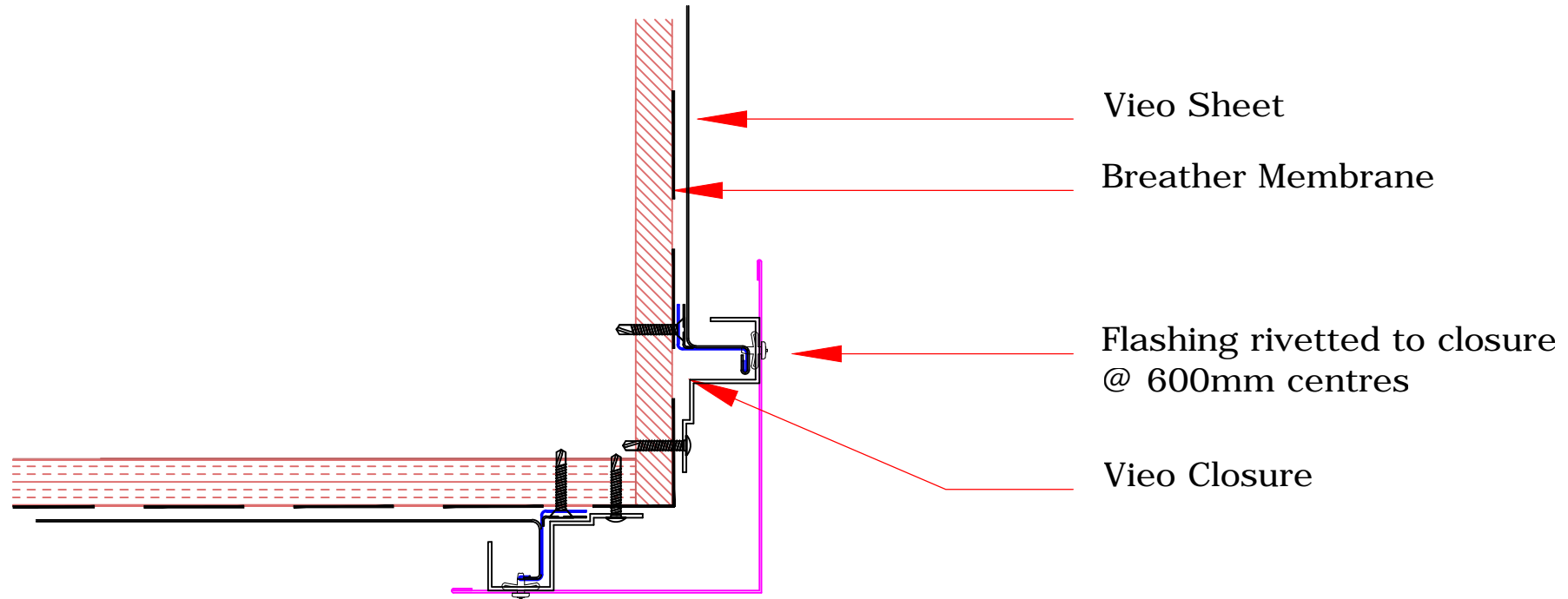
ISSUE DATE: Sep 2014

Drawn by: MP Checked by: PCI

(To be read in conjunction with Vieo system specification documents)

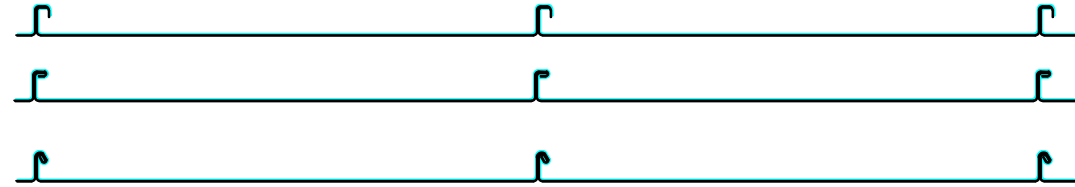
Euro Clad Ltd,
Wentloog Corporate Park,
Wentloog Road, Cardiff CF3 2ER
Tel: (+ 44) 029 20 790722,
Fax: (+ 44) 029 20 793149
Website: www.vieorooft.com

This draft drawing has been supplied by Euro Clad Ltd for the purpose of guidance free of charge. It is a suggested typical detail and as such should not be assumed suitable for any specific project or application. No responsibility is assumed for errors or misinterpretations resulting from the information contained in the drawing. Details are for illustration only and no liability is accepted. We reserve the right to change the details without notice. The drawing is copyright, it remains our property.

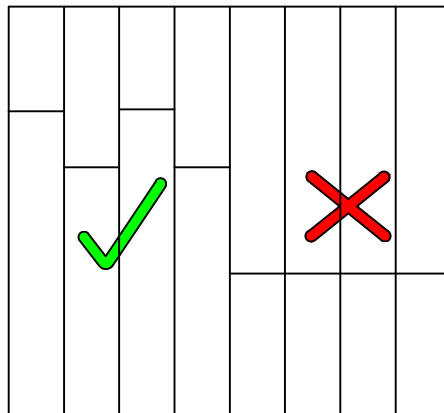
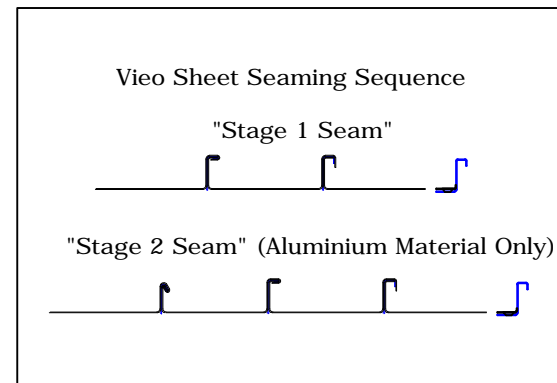
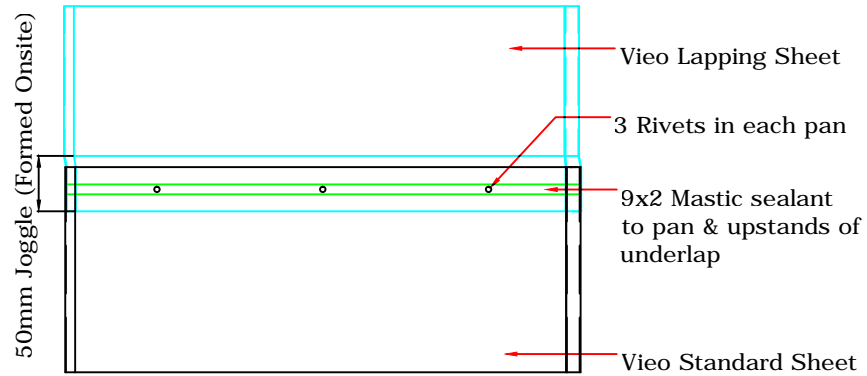


RIVET ENDLAP DETAIL

Create fixed points at clips immediately above & below detail.
Ensure Clips are at least 100mm away from detail.
Allow free movement of sheets elsewhere.



SEAMING OPTIONS AT END LAP



Lap joints must be staggered between 500mm apart

Vieo Sheets cut on site prior to jointing

